

# PARTS LIST



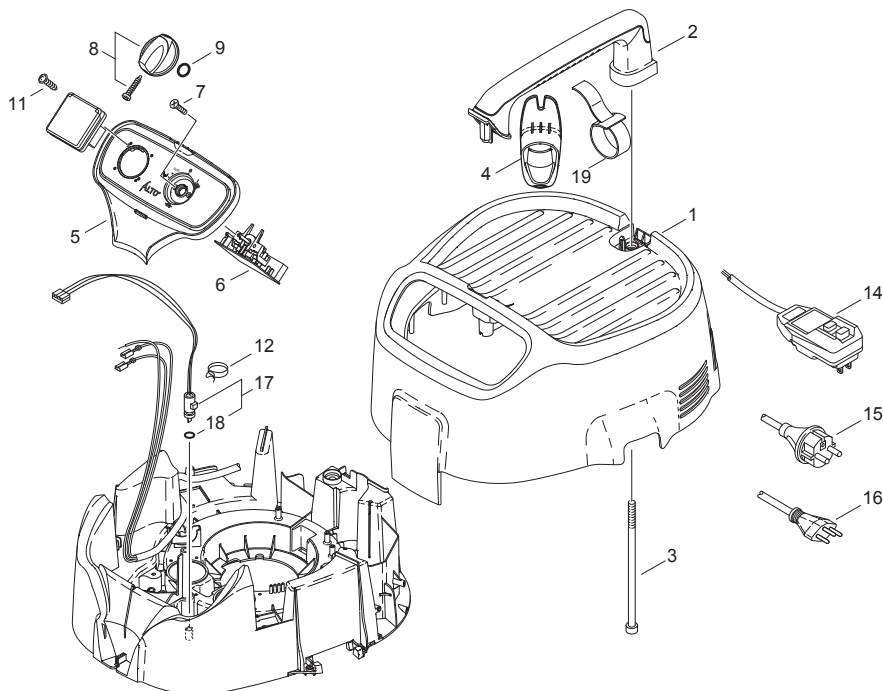
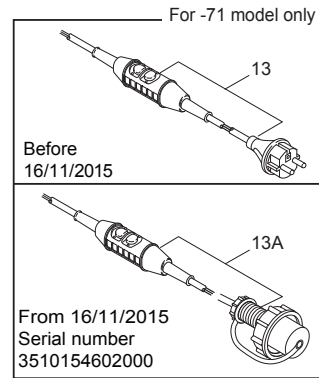
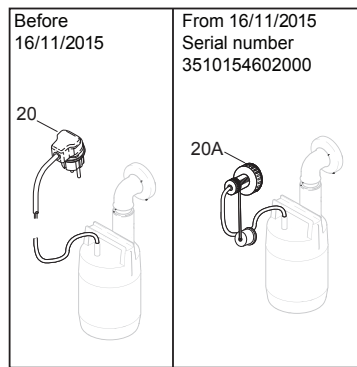
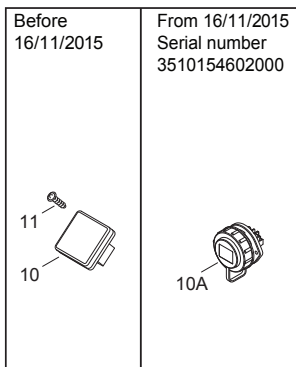
2025.08.29

# NILFISK

# TABLE OF CONTENTS

---

|   |    |
|---|----|
| Cabinet 751-61, -71, 19 GALLON AE.....                    | 1  |
| Base, motor, filter 751-61, -71, 19 GALLON AE.....        | 3  |
| Container 751-61, -71, 19 GALLON AE.....                  | 5  |
| Frame 751-01, -11, -21, -61, 19 GALLON, 19 GALLON AE..... | 7  |
| Accessories 550, 751.....                                 | 9  |
| RECOMMENDED SPARE PARTS.....                              | 11 |

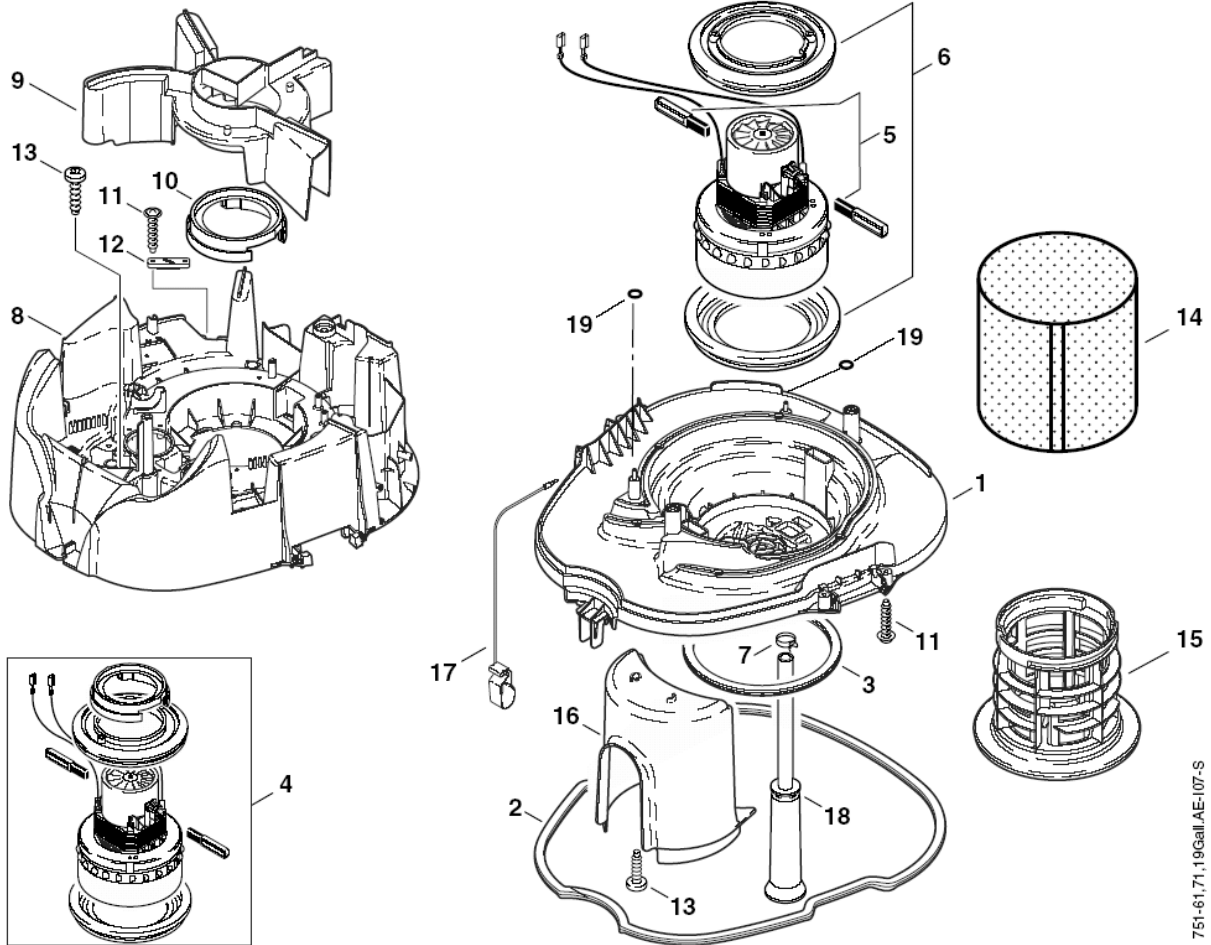


| Pos. | Artikel-Nr. | Menge | Variante                               | Notes |
|------|-------------|-------|--|-------|
| 1    | 107402652   | 1     | Haube mit Dämmlage                     |       |
| 2    | 107402650   | 1     | Griff, Kit                             |       |
| 3    | 909100084   | 2     | Schraube M6x140                        |       |
| 4    | 302000380   | 1     | Kabelhaken IVB                         | [1]   |
| 5    | 302001589   | 1     | Schaltkasten- 61 f. ATTIX              |       |
| 6    | 302001712   | 1     | Elektronik Karte220 - 240V SET1        | [2]   |
| 6    | 302001711   | 1     | ELECTRONIC 100-120V SET1               | [3]   |
| 7    | 18274       | 2     | Senkschraube M4x12                     |       |
| 8    | 909100204   | 1     | Drehknopf 6x5 blau                     |       |
| 9    | 9868        | 1     | O-Ring 10x2,5                          |       |
| 10   | 302004034   | 1     | Steckdose                              | [4]   |
| 10A  | 107416449   | 1     | Steckdose 2P+E 16A/230V - IP 68        | [5]   |
| 11   | 11256       | 2     | EP-Schraube KA35x18 St/zn              |       |
| 12   | 107400578   | 1     | Schlauchschelle D10                    |       |
| 13   | 302001580   | 1     | LTG Netz H07RN-F 3G                    | [6]   |
| 13A  | 107416447   | 1     | Netzkabel Kit FOR H07RN-F PRCD IP68 EU | [7]   |
| 14   | 302001708   | 1     | POWER CORD SJTW-A AWG                  | [8]   |
| 15   | 107402642   | 1     | Netzkabel                              | [9]   |
| 15   | 107402641   | 1     | Anschlussleitung Europa                | [10]  |
| 16   | 107420520   | 1     | POWER CORD H05RR-F 3G1,0MM IP55 CH     | [11]  |
| 17   | 107402655   | 1     | Temperatursensor Kit                   |       |
| 18   | 55416       | 1     | O-Ring ¥4x1.5IVB 3/5/7                 |       |
| 19   | 302001611   | 1     | CLAMPING TAPE ATTIX 7                  | [12]  |
| 20   | 11832       | 1     | Schuko-Winkelstecker                   | [4]   |
| 20A  | 107416448   | 1     | POWER PLUG KIT FOR 2P+E 16A/230V IP 68 | [5]   |

## Part Notes:

- [1] - 751-61, 19 Gallon AE
- [2] - 220-240V
- [3] - 100-120V  
STOCK COVERS GUARANTEE
- [4] - TSB-LI-VAC-2015-002 ATTIX 751-61,-71 IP68 update  
DE TSB-LI-VAC-2015-002 ATTIX 751-61,-71 IP68 Aktualisierung
- [5] - From 16/10/2015 Serial number 3510154602000
- [6] - 751-71  
TSB-LI-VAC-2015-002 ATTIX 751-61,-71 IP68 update  
STOCK COVERS GUARANTEE  
DE TSB-LI-VAC-2015-002 ATTIX 751-61,-71 IP68 Aktualisierung
- [7] - For -71 model only.  
  
From 16/11/2015 Serial number 35101546020
- [8] - 19GALLON AE
- [9] - 751-61\*DK\*
- [10] - 751-61\*EU\*
- [11] - 751-61\*CH\*
- [12] - 751-71

ATTIX 751-61, 19 Gallon AE, 751-71

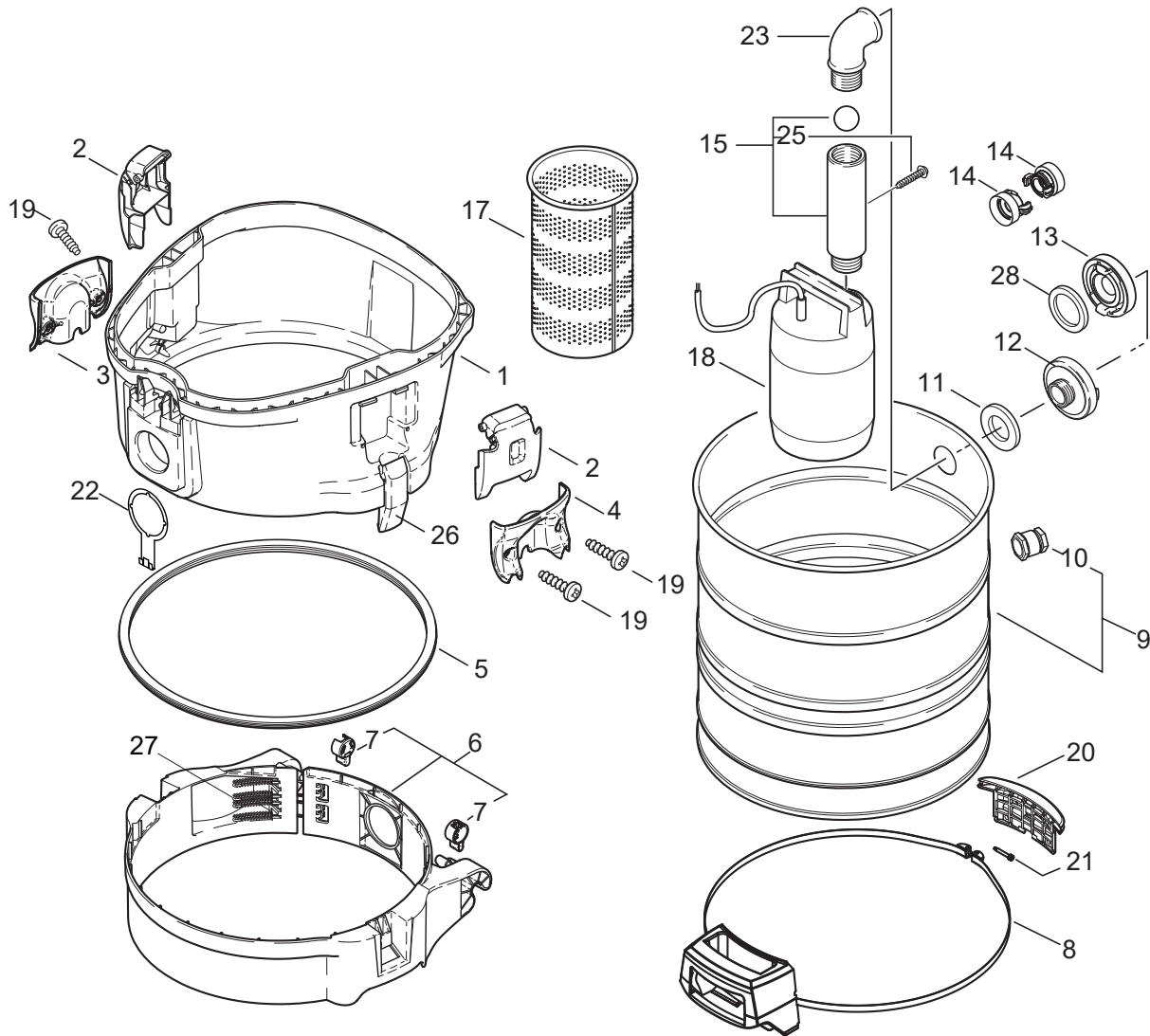


751-61,71,19Gall.AE-107-S

| Pos. | Artikel-Nr. | Menge | Variante                             | Notes |
|------|-------------|-------|--------------------------------------|-------|
| 01   | 302000372   | 1     | Trägerplatte                         |       |
| 02   | 302000637   | 1     | Dichtung Container IVB 5             |       |
| 03   | 302000460   | 1     | Dichtring                            |       |
| 04   | 26784       | 1     | Elektromotor 120 V/50, 60 Hz         | [1]   |
| 04   | 49594       | 1     | Elektromotor 230/240 V               | [2]   |
| 04   | 26785       | 1     | Elektromotor 120 V/50, 60 Hz         | [3]   |
| 04   | 26783       | 1     | MOTOR 100V 1200W                     | [4]   |
| 05   | 26775       | 1     | Kohlenbürsten-Set L                  | [5]   |
| 05   | 49625       | 1     | Kohlebürsten-Satz C                  | [6]   |
| 05   | 26774       | 1     | Satz Kohlebürsten M                  | [7]   |
| 06   | 28875       | 1     | Satz Gummiringe                      | [8]   |
| 06   | 42538       | 1     | Satz Gummiringe                      | [9]   |
| 06   | 107402627   | 1     | Motorlagerring Set EC                | [6]   |
| 06   | 29205       | 1     | Motorlagerring Set Ölfes             | [8]   |
| 07   | 909100137   | 1     | Drahtschlauchklemme 19               |       |
| 08   | 107402638   | 1     | Spannplatte                          |       |
| 09   | 302000373   | 1     | Abluft                               |       |
| 10   | 107410490   | 1     | Manschette                           |       |
| 10   | 47035       | 1     | Manschette                           | [10]  |
| 11   | 11256       | 6     | EP-Schraube KA35x18 St/zn            |       |
| 12   | 5697        | 1     | Kabelschelle                         |       |
| 13   | 909100138   | 9     | Schraube 5x20                        |       |
| 14   | 15475       | 1     | Edelstahl-Filtereinsatz Ø 143x140 mm |       |
| 15   | 107413310   | 1     | FILTER SUPPORT CAGE - KIT            |       |
| 16   | 302001436   | 1     | Abweiser ATTIX 7                     |       |
| 17   | 61174       | 1     | Ableiter                             |       |
| 18   | 302001473   | 1     | Schlauch 40x396                      |       |
| 19   | 62359       | 2     | Dichtung 9x4x1                       |       |

## Part Notes:

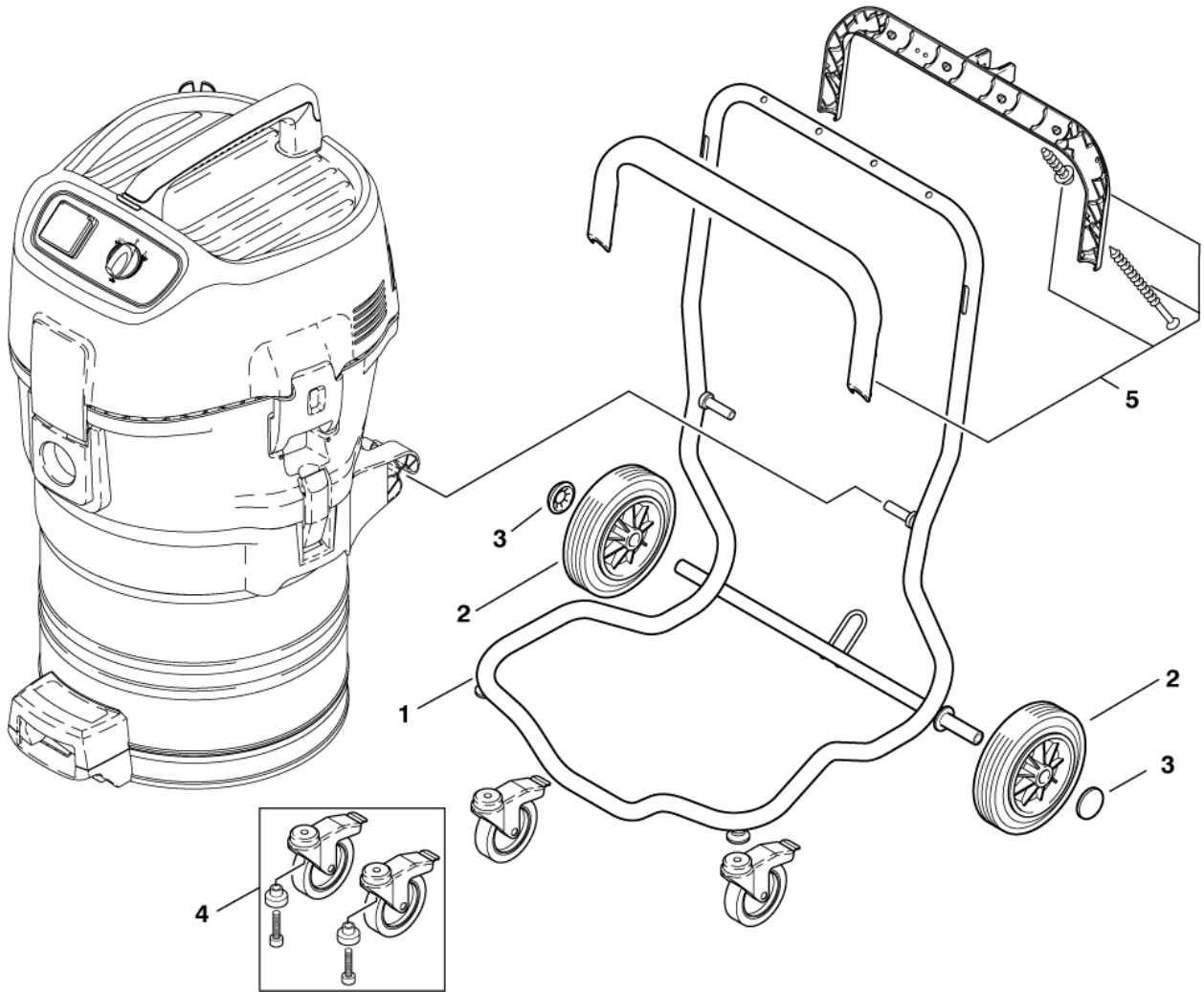
- [1] - 110-120V/1200W
- [2] - 220-240V/1200W
- [3] - 120V/1000W
- [4] - 100V/1200W  
NO LONGER AVAILABLE
- [5] - FOR IDENTIF. LETTER "L"
- [6] - FOR IDENTIF. LETTER "C"
- [7] - FOR IDENTIF. LETTER "M"
- [8] - FOR IDENTIF. LETTER "L"+"M"
- [9] - FOR IDENTIF. LETTER "C"
- [10] - 19GALL.AE



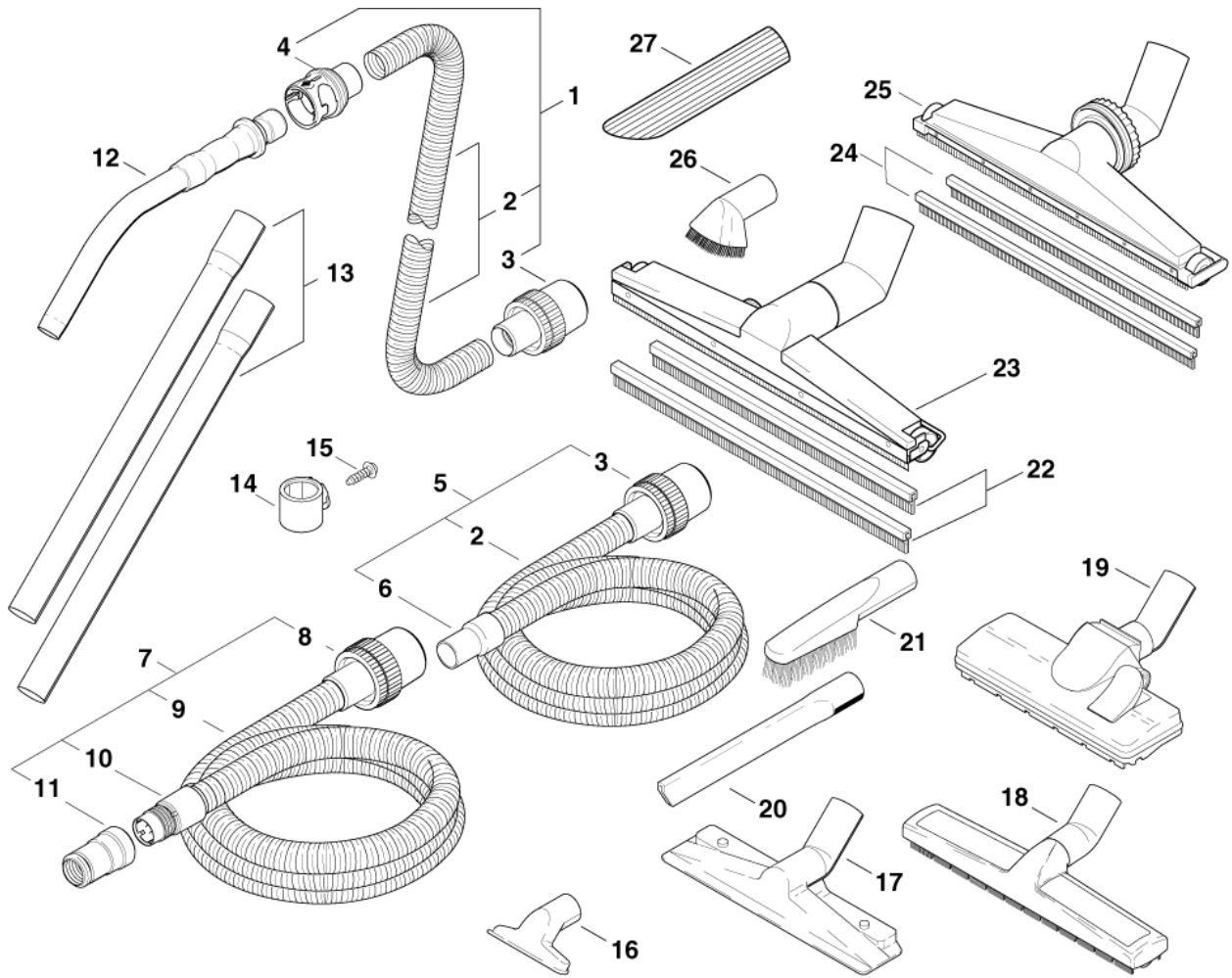
| Pos. | Artikel-Nr. | Menge | Variante                                 | Notes |
|------|-------------|-------|--|-------|
| 1    | 107400257   | 1     | ADAPTERRING ATTIX7-KIT                   |       |
| 2    | 302000349   | 2     | Klammer                                  |       |
| 3    | 302001553   | 1     | Verschlussklammer                        |       |
| 4    | 302001552   | 1     | Verschlussklammer                        |       |
| 5    | 302001432   | 1     | Kesseldichtung IVB 7                     |       |
| 6    | 302001704   | 1     | Gürtel 480 Set1                          |       |
| 7    | 302001441   | 2     | Verriegelung IVB 5 M                     |       |
| 8    | 302001605   | 1     | Griff mit Spannband                      |       |
| 9    | 302001361   | 1     | Behälter ATTIX 7 D408x430                |       |
| 10A  | 909100018   | 1     | Sechskantmutter M16x1,5 EN 50262 PA      | [1]   |
| 10   | 64901       | 1     | Kabelverschr. M16x1,5 Zuge. EN 50262 PA  |       |
| 11   | 107402254   | 1     | Dichtung Kit D42X58X6                    |       |
| 12   | 302001482   | 1     | Festkupplung C                           |       |
| 13   | 107402618   | 1     | Rohr Kupplungsset                        |       |
| 14   | 7729        | 2     | Geka Gewindestück 1.1/2l                 |       |
| 15   | 302001133   | 1     | Rückflussverhinderer G 1                 |       |
| 17   | 302001434   | 1     | Grobschmutzkorb 200x372                  |       |
| 18   | 302000297   | 1     | Tauchpumpe 230/50                        | [2]   |
| 18   | 302000307   | 1     | Tauchpumpe 115/60                        | [3]   |
| 19   | 909100138   | 4     | Schraube 5x20                            |       |
| 20   | 302001363   | 1     | CONTAINER STOPPER ATTIX 7                |       |
| 21   | 302001613   | 1     | Zylinderschraube M5x35x5                 |       |
| 22   | 107400145   | 1     | Antistatikklammer Attix 7                |       |
| 23   | 21678       | 1     | WINKEL NR.92 IA-1.1/4 ZN                 |       |
| 25   | 43341       | 1     | Schraube 5x30                            | [1]   |
| 26   | 19880       | 1     | Klammer                                  |       |
| 27   | 909100383   | 1     | Druckfeder 1,40x 7,5 x                   |       |
| 28   | 31001309    | 1     | SEAL F. C-CUPL C52 NITRIL DIN14321 WHITE |       |

Part Notes:

- [1] - STOCK COVERS GUARANTEE
- [2] - 230V/50HZ
- [3] - 115V/60HZ



| Pos. | Artikel-Nr. | Menge | Variante                   | Notes |
|------|-------------|-------|----------------------------|-------|
| 01   | 302001437   | 1     | Grundrahmen ATTIX 7 sc     |       |
| 02   | 107401077   | 2     | Radkit 200x50 2 Stk        |       |
| 03   | 3750        | 2     | Kappe                      |       |
| 04   | 107421372   | 1     | ATTIX 7-9 CASTOR BRAKE KIT |       |
| 05   | 302001706   | 1     | Griffschale Ober-u.Untert  |       |



| Pos. | Artikel-Nr. | Menge | Variante                                 | Notes |
|------|-------------|-------|--|-------|
| 01   | 25537       | 1     | Saugschlauch Ø 36 mmx4 m                 |       |
| 01   | 302001677   | 1     | Saugschlauch hitze-/ölbest., Ø36x3,5 m   | [1]   |
| 01   | 46948       | 1     | Saugschlauch, Ø 36 mmx3 m                |       |
| 02   | 11985       | 1     | Saugschlauch Ø 36 mm , Meterware         |       |
| 02   | 6429        | 1     | Saugschlauch, Ø 36 mm, Meterware         | [1]   |
| 03   | 15102       | 1     | Muffe Ø 36x50 mm                         |       |
| 04   | 107417867   | 1     | MUFFE Ø36 AS QUICKSYSTEM                 |       |
| 05   | 15805       | 1     | Universalsaugschlauch Ø 36 mmx3 m        |       |
| 06   | 11597       | 1     | Muffe PVC, Ø 36 mm                       |       |
| 07   | 107406091   | 1     | Saugschlauch D27x3500 mit Werkzeugadapte |       |
| 08   | 15369       | 1     | Muffe Ø 27x50 mm, antistatisch           |       |
| 09   | 15326       | 1     | Saugschlauch Ø 27 mmx1 m, Meterware      |       |
| 10   | 63509       | 1     | Muffe Ø 27 mm                            |       |
| 11   | 107404520   | 1     | Werkzeugadapter, Ø 27 mm/36-24 mm        |       |
| 12   | 46691       | 1     | Handrohr gebog., Ø 36 mm, Edelstahl      |       |
| 12   | 302000528   | 1     | Handrohr, gebog., verchromt, Ø 36 mm     |       |
| 13   | 107408074   | 1     | Verlängerungsrohr Edels. Ø36x505mm, VPE2 |       |
| 13   | 302000529   | 1     | Verlängerungsrohre Ø36x505 mm, VPE 2     |       |
| 14   | 26821       | 1     | Zubehörhalter                            | [2]   |
| 14   | 28546       | 1     | Zubehörhalter                            | [3]   |
| 15   | 12400       | 1     | Blechschraube 3,5x13                     | [4]   |
| 16   | 14295       | 1     | Universaldüse Ø 36x115 mm, Kunststoff    |       |
| 17   | 5147        | 1     | Bodendüse Ø 36x330 mm                    |       |
| 18   | 60356       | 1     | Profi-Bodendüse, Ø 36x360 mm             | [5]   |
| 19   | 302000477   | 1     | Bodendüse, Ø 36x260 mm                   |       |
| 20   | 6084        | 1     | Fugendüse Ø 36x300 mm                    |       |
| 21   | 6086        | 1     | Bürstendüse Ø 36x230 mm, PP/PA           |       |
| 22   | 15352       | 1     | Sauglippenneinsatz-Set                   | [1]   |
| 23   | 107420002   | 1     | NOZZLE ALU. D36X450 WET ACCESSORY        |       |
| 24   | 6114        | 1     | Sauglippen-Set                           |       |
| 25   | 5149        | 1     | Spezial-Bodendüse Ø 36x400 mm            |       |
| 26   | 5146        | 1     | Saugbürste Ø36x70 mm, Kunststoff, PA/PP  |       |
| 27   | 5067        | 1     | Schrägrohrdüse Ø36mm                     |       |
|      | 302000524   | 1     | Zubehör-Netz                             | [6]   |
| NS   | 7567        | 1     | C-Schlauch 15 m                          |       |
| NS   | 31001309    | 1     | SEAL F. C-CUPL C52 NITRIL DIN14321 WHITE | [7]   |

## Part Notes:

- [1] - 751-71
- [2] - ALTERNATIVE USE PN 107400064 OR 302004027
- [3] - 12GALL.RDF
- [4] - GUARANTEE DATE EXPIRED
- [5] - WET/DRY
- [6] - PRUNED DUE TO LOW SALES
- [7] - Part of 7567

**No  
Diagram  
Available**

**Parts List  
Only**

# RECOMMENDED SPARE PARTS

ATTIX 751-61

2023.11.23

2024.04.30

| Pos. | Artikel-Nr. | Menge | Variante                                 | Notes |
|------|-------------|-------|--|-------|
| 01   | 107413315   | 1     | BASE PLATE - KIT                         |       |
| 01   | 11832       | 1     | Schuko-Winkelstecker                     |       |
| 01   | 302001441   | 1     | Verriegelung IVB 5 M                     |       |
| 01   | 107400271   | 1     | Anschlussleitung H07BQ-F 3G2.5 GB        | [1]   |
| 01   | 302004034   | 1     | Steckdose                                | [2]   |
| 01   | 47302       | 1     | Sich. Ring ¥ 28.6/ ¥20x                  |       |
| 01   | 14808       | 1     | Schlauchkupplung G1/4                    | [3]   |
| 01   | 3750        | 1     | Kappe                                    |       |
| 01   | 107400270   | 1     | Anschlussleitung H05RR-F 3G1,5 BS1 363 G | [4]   |
| 01   | 60561       | 1     | Motor 220/240 V 1200 Watt/IVB 7          | [5]   |
| 01   | 107404779   | 1     | Schlauch 27 mm, 3,5 m                    | [6]   |
| 01   | 64937       | 1     | Entstörfilter EC 15A/250                 | [7]   |
| 01   | 302001711   | 1     | ELECTRONIC 100-120V SET1                 | [8]   |
| 01   | 302001482   | 1     | Festkupplung C                           |       |
| 01   | 26784       | 1     | Elektromotor 120 V/50, 60 Hz             | [9]   |
| 01   | 302000428   | 1     | Luftsensord IVB                          |       |
| 01   | 107412690   | 1     | COVER WITH FLAP ATTIX 560                |       |
| 01   | 302000751   | 1     | Filterelement M-Klasse, PET, Ø 275x185 m |       |
| 01   | 6114        | 1     | Sauglippen-Set                           |       |
| 01   | 19880       | 1     | Klammer                                  |       |
| 01   | 29205       | 1     | Motorlagerring Set Ölfes                 | [10]  |
| 01   | 107402642   | 1     | Netzkabel                                | [11]  |
| 01   | 107402254   | 1     | Dichtung Kit D42X58X6                    |       |
| 01   | 107402635   | 1     | Elektromagnet Kit 24V                    | [12]  |
| 01   | 302000853   | 1     | Elektronik Magnetsteuerun                | [13]  |
| 01   | 302000693   | 1     | Saugschlauch, leitfähig, Ø 32x4 m        | [14]  |
| 01   | 107402642   | 1     | Netzkabel                                | [15]  |
| 01   | 107406091   | 1     | Saugschlauch D27x3500 mit Werkzeugadapte | [16]  |
| 01   | 107420520   | 1     | POWER CORD H05RR-F 3G1,0MM IP55 CH       | [17]  |
| 01   | 107402655   | 1     | Temperatursensord Kit                    | [18]  |
| 01   | 61174       | 1     | Ableiter                                 |       |
| 01   | 909100204   | 1     | Drehknopf 6x5 blau                       | [19]  |
| 01   | 302000297   | 1     | Tauchpumpe 230/50                        | [20]  |
| 01   | 302000307   | 1     | Tauchpumpe 115/60                        | [21]  |
| 01   | 302000435   | 1     | Netzleitung SJTW-A AWG18                 | [22]  |
| 01   | 107400145   | 1     | Antistatikklammer Attix 7                |       |
| 01   | 15352       | 1     | Sauglippenneinsatz-Set                   | [18]  |
| 01   | 42538       | 1     | Satz Gummiringe                          | [23]  |
| 01   | 302001678   | 1     | AIR MANIFOLD ASSY. SET                   | [24]  |
| 01   | 302000825   | 1     | Elektronik Softstart 100-                | [25]  |
| 01   | 302000833   | 1     | Elektronik IVB 7 Atex                    | [26]  |
| 01   | 302001704   | 1     | Gürtel 480 Set1                          |       |
| 01   | 7729        | 1     | Geka Gewindestück 1.1/2l                 |       |
| 01   | 15805       | 1     | Universalsaugschlauch Ø 36 mmx3 m        |       |
| 01   | 6429        | 1     | Saugschlauch, Ø 36 mm, Meterware         | [18]  |
| 01   | 107402651   | 1     | Filterfeststell-                         |       |
| 01   | 302000373   | 1     | Abluft                                   |       |
| 01   | 107402641   | 1     | Anschlussleitung Europa                  | [27]  |
| 01   | 302000529   | 1     | Verlängerungsröhre Ø36x505 mm, VPE 2     |       |
| 01   | 302000460   | 1     | Dichtring                                | [18]  |
| 01   | 107400574   | 1     | CORD H05BQ-F 3G1.0 CEE GB 110            | [28]  |
| 01   | 302004338   | 1     | SOCKET 15A/125V US/CSA                   | [29]  |
| 01   | 302000514   | 1     | Dichtung f.Filtertrennung                |       |
| 01   | 302001553   | 1     | Verschlussklammer                        |       |
| 01   | 302001552   | 1     | Verschlussklammer                        |       |
| 01   | 15348       | 1     | Großraumbodendüse Ø 36x450 mm, trocken   |       |
| 01   | 107421372   | 1     | ATTIX 7-9 CASTOR BRAKE KIT               |       |
| 01   | 302001425   | 1     | Elektronik EA. m.Drehz. E                | [30]  |
| 01   | 302001605   | 1     | Griff mit Spannband                      |       |

# RECOMMENDED SPARE PARTS

ATTIX 751-61

2023.11.23

2024.04.30

| Pos. | Artikel-Nr. | Menge | Variante                                 | Notes |
|------|-------------|-------|--|-------|
| 01   | 302000823   | 1     | CONTACT SPRING 41.8X14 AS BR             | [31]  |
| 01   | 302000385   | 1     | Filterstützkorb IVB 5                    |       |
| 01   | 26783       | 1     | MOTOR 100V 1200W                         | [32]  |
| 01   | 47364       | 1     | Dichtring 108x86x18                      |       |
| 01   | 107400579   | 1     | Pieper IVB 7                             |       |
| 01   | 26774       | 1     | Satz Kohlebürsten M                      | [33]  |
| 01   | 107413310   | 1     | FILTER SUPPORT CAGE - KIT                |       |
| 01   | 302000430   | 1     | Netzleitung H05RR-F 3G0,                 | [34]  |
| 01   | 302001363   | 1     | CONTAINER STOPPER ATTIX 7                |       |
| 01   | 302000637   | 1     | Dichtung Container IVB 5                 | [18]  |
| 01   | 14809       | 1     | Kupplungsstecker G1/4                    | [3]   |
| 01   | 15475       | 1     | Edelstahl-Filtereinsatz Ø 143x140 mm     |       |
| 01   | 302004333   | 1     | POWER CORD H05RR-F 3G1.5X8.4 AS3112 -AU  | [35]  |
| 01   | 302000349   | 1     | Klammer                                  |       |
| 01   | 302000685   | 1     | Netzkabel H05RR-F3G0,75                  | [36]  |
| 01   | 107402646   | 1     | Filterkorb                               |       |
| 01   | 107402842   | 1     | OUTLET 2P AND PE 16A 110V                | [37]  |
| 01   | 107402627   | 1     | Motorlagerring Set EC                    | [38]  |
| 01   | 107400059   | 1     | Steckdose 10A/250V CH                    | [39]  |
| 01   | 60877       | 1     | Halter                                   |       |
| 01   | 302004336   | 1     | Steckdose 2 polig 13A.                   | [40]  |
| 01   | 48333       | 1     | Sicherung 6,3x32 10A 250                 | [26]  |
| 01   | 302000826   | 1     | Elektronik Softstart 220-                | [41]  |
| 01   | 49625       | 1     | Kohlebürsten-Satz C                      | [38]  |
| 01   | 107400292   | 1     | MAGNET 12V FPR 110V                      | [42]  |
| 01   | 26785       | 1     | Elektromotor 120 V/50, 60 Hz             | [43]  |
| 01   | 302001682   | 1     | SAUGSCHLAUCH ANTISTATISCH Ø36MMX5M ZUB.  |       |
| 01   | 302000490   | 1     | Filterelement M-Klasse Ø 185x140 mm      |       |
| 01   | 302000852   | 1     | Elektronik Magnetsteuerun                | [44]  |
| 01   | 107410490   | 1     | Manschette                               |       |
| 01   | 302001434   | 1     | Grobschmutzkorb 200x372                  |       |
| 01   | 107402618   | 1     | Rohr Kupplungsset                        |       |
| 01   | 26601       | 1     | Schlauch-Garnitur D32                    | [45]  |
| 01   | 107401077   | 1     | Radkit 200x50 2 Stk                      |       |
| 01   | 62359       | 1     | Dichtung 9x4x1                           |       |
| 01   | 11985       | 1     | Saugschlauch Ø 36 mm , Meterware         |       |
| 01   | 302000528   | 1     | Handrohr, gebog., verchromt, Ø 36 mm     |       |
| 01   | 28875       | 1     | Satz Gummiringe                          | [46]  |
| 01   | 49594       | 1     | Elektromotor 230/240 V                   | [47]  |
| 01   | 107408926   | 1     | Elektronikeinheit Drehzahlregelung       | [48]  |
| 01   | 302000434   | 1     | POWER CORD H05RR-F 3G0.7                 | [49]  |
| 01   | 107408074   | 1     | Verlängerungsrohr Edels. Ø36x505mm, VPE2 |       |
| 01   | 302001708   | 1     | POWER CORD SJTW-A AWG                    | [50]  |
| 01   | 302000372   | 1     | Trägerplatte                             | [18]  |
| 01   | 302000627   | 1     | Elektronik EA.m.Drehz. 1                 | [51]  |
| 01   | 302001432   | 1     | Kesseldichtung IVB 7                     |       |
| 01   | 107402619   | 1     | Anzeige Filter                           | [26]  |
| 01   | 47035       | 1     | Manschette                               | [52]  |
| 01   | 11753       | 1     | Filterelement Ø 185x140 mm, Papier       | [53]  |
| 01   | 107420520   | 1     | POWER CORD H05RR-F 3G1,0MM IP55 CH       | [54]  |
| 01   | 302001580   | 1     | LTG Netz H07RN-F 3G                      | [55]  |
| 01   | 302001546   | 1     | Dichtring für Schwimmer                  | [56]  |
| 01   | 107413313   | 1     | Befestigung 72x32x52                     |       |
| 01   | 107411687   | 1     | SILIKON HOSE D3X1,5 2METER - KIT         |       |
| 01   | 107400257   | 1     | ADAPTERRING ATTIX7-KIT                   |       |
| 01   | 302001185   | 1     | Steckdose 2-poligPE 10A                  | [35]  |
| 01   | 26775       | 1     | Kohlenbürsten-Set L                      | [57]  |
| 01   | 65058       | 1     | Sicherung 6,3x32 25A 250                 | [58]  |
| 01   | 107402638   | 1     | Spannplatte                              | [59]  |

# RECOMMENDED SPARE PARTS

ATTIX 751-61

2023.11.23

2024.04.30

| Pos. | Artikel-Nr. | Menge | Variante                        | Notes |
|------|-------------|-------|---------------------------------|-------|
| 01   | 302001712   | 1     | Elektronik Karte220 - 240V SET1 | [60]  |
| 01   | 302004332   | 1     | NETZKABEL US                    | [61]  |
| 01   | 302001430   | 1     | Elektronik EC-3 110V Set        | [58]  |
| 01   | 302001641   | 1     | Adapter vorm. ATTIX             | [62]  |
| 01   | 302000756   | 1     | Schaltkasten ATTIX 5,7-         | [63]  |
| 01   | 107402639   | 1     | Spannplatte ATTIX 560 PP        |       |
| 01   | 302000683   | 1     | Steckdose 2-poligPE 10A         | [64]  |
| 01   | 302000477   | 1     | Bodendüse, Ø 36x260 mm          |       |
| 01   | 5149        | 1     | Spezial-Bodendüse Ø 36x400 mm   |       |
| 01   | 107402653   | 1     | FILTER SURFACE PLATE            |       |
| 01   | 302000697   | 1     | Dichtung Filter IVB 5           |       |
| 01   | 302000465   | 1     | Rad                             |       |

## Part Notes:

- [1] - GB,110V 751-11/21, 761-21
- [2] - EU -590-21, 751-11/21, 761-71, 791-21
- [3] - 560-31XC
- [4] - GB,230V 751-01/11/21, 761-21
- [5] - 590-21, 791-21., 791-2M/B1EUGB,230V
- [6] - 791-2M/B1
- [7] - EC 12GALLON AS/E, 791-2M/B1GB,110V  
STOCK COVERS GUARANTEE
- [8] - 100-120V 751-61-71  
STOCK COVERS GUARANTEE
- [9] - 110-120V/1200W 751-71
- [10] - FOR IDENTIF. LETTER L+M
- [11] - DK 751-01
- [12] - FOR 220-240V
- [13] - 220-240V 761-21
- [14] - EC 12 GALLON AS/E
- [15] - DK 751-61
- [16] - 590-21, 791-21
- [17] - CH 751-01
- [18] - 751-71
- [19] - 751-61-71
- [20] - 230V/50HZ
- [21] - 115V/60HZ
- [22] - US 751-01
- [23] - FOR IDENITF. LETTER C
- [24] - 19GALLON AS/PE2
- [25] - 100-120V, 751-11GB,110/50, 19GALL.  
NO REPLACEMENT
- [26] - 590-21, 791-21, 791-2M/B1EUGB,230V
- [27] - EU 751-61, 791-21
- [28] - GB 751-01
- [29] - US 751-11/21 761-21
- [30] - 590-21, 791-21  
NO REPLACEMENT
- [31] - GB,230V
- [32] - 100V/1200W 751-71  
NO LONGER AVAILABLE
- [33] - FOR IDENTIF. LETTER M
- [34] - EU 751-01
- [35] - AU
- [36] - ZA 751-01
- [37] - GB,110V 751-11/21
- [38] - FOR IDENTIF. LETTER C
- [39] - CH 751-11/21 761-21
- [40] - GB,230V 751-11/21, 761-21
- [41] - 220-240V, 751-11 -21 19 GALL.
- [42] - FOR 100-120V

# RECOMMENDED SPARE PARTS

ATTIX 751-61

2023.11.23

2024.04.30

---

- [43] - 120V/1000W 751-71
- [44] - 100-120V 761-21  
NO REPLACEMENT
- [45] - PRUNED - NO REPLACEMENT
- [46] - FOR IDENTIF.LETTERL+M
- [47] - 220-240V/1200W 751-71
- [48] - 220-240V, 550-21, 751-21, 751-11
- [49] - AU 751-01
- [50] - 751-71 19GALLON AE
- [51] - 100-120V, 12GALL.RDF 751-11 -21  
NO REPLACEMENT
- [52] - 19GALL.AE
- [53] - ZA
- [54] - CH 751-61
- [55] - 751-71  
STOCK COVERS GUARANTEE
- [56] - 791-21, 791-2M/B1
- [57] - FOR IDENTIF. LETTER L
- [58] - EC 12GALLON AS/E, 791-2M/B1GB,110V
- [59] - 590-21, EC 12GALLON AS/E, 791-21
- [60] - 220-240V 751-61-71
- [61] - US 751-11/21
- [62] - 751-01, 751-11, 751-21, 19GALL., 791-21, 791-2M/B1
- [63] - 550-1, 12 GALLON, 751-01
- [64] - DK 751-11/21, 761-21

